



FPK02

Max Flow: 25 gpm (95 lpm)

FPK02 In-Line Cartridge Filters

Working Pressures to: 6090 *psi*
42,000 kPa
420 bar

Rated Static Burst to: 9135 *psi*
63,000 kPa
630 bar

Flow Range to: 25 *gpm*
95 *lpm*



Features

The FPK02 is built to withstand pressures upwards of 6000 psi (420 bar). It features a cast iron head and cold-extruded steel housing for ultimate strength and durability. This filter meets the HF2 in-plant automotive specification.

Bypass options include 87 psi/6 bar bypass, bypass with reverse-flow check valve, or no bypass.

Take advantage of our mix and match system of in-stock heads, housings and cartridges, so you can get exactly what you need. You can also choose the media type and configuration that's best for your application. All FPK02 filters contain Synteq™, Donaldson's exclusive synthetic fiber media formulated especially for hydraulic filtration.

Beta Rating

- Performance to $\beta_{<4(c)}=1000$

Porting Size Options

- SAE-12 O-ring

Assembly Weight

- 4" Assembly: 9.2 lbs / 4.2 kg
- 8" Assembly: 13.2 lbs / 6.0 kg

Replacement Filter Lengths

- 4.41" / 111.9mm
- 4.46" / 113.2mm
- 8.16" / 207.2mm
- 8.28" / 210.3mm

Standard Bypass Ratings

- 87 *psi* / 600 kPa / 6 bar
- 87 *psi* Bypass with reverse-flow check valve
- No Bypass

Operating Temperatures

- -20°F to 250°F / -29°C to 120°C

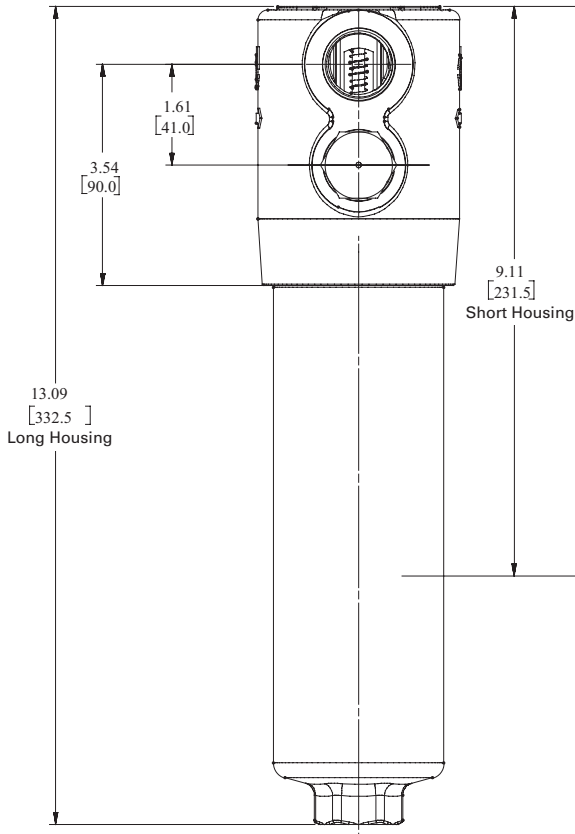
Filter Collapse Ratings

- 290 *psi* / 2000 kPa / 20 bar (standard)
- 3000 *psi* / 20,700 kPa / 207 bar (high collapse)

FPK02 Specification Illustrations

All dimensions are shown in inches [millimeters].

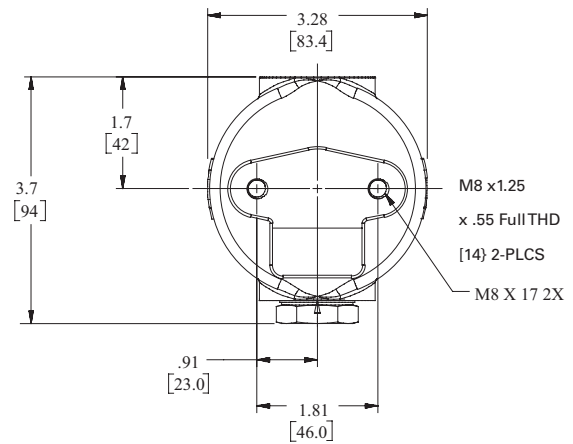
Assembly - Side View



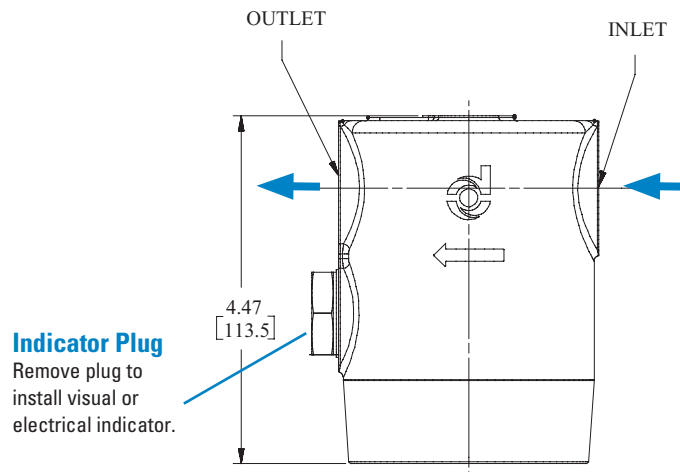
Applications:

- Servo Valve Circuits
- In-Plant & Mobile Equipment
- Power Steering Circuits
- High Pressure Circuits
- Meets HF2 Specification

Head - Top View



Head - Side View



All dimensions above are shown in inches [millimeters]



FPK02

Max Flow: 25 gpm (95 lpm)

FPK02 Components

Standard Filter Choices

Media	B _{μ(c)} = 1000	Length	Part	Comments
No. 1	5 μm	4.37/111	P169429	Buna-N® Seal
			P167180	Fluorocarbon Seal High Collapse
		8.12/203	P167838	Buna-N Seal
			P167182	Fluorocarbon Seal High Collapse
No. 2	9 μm	4.37/111	P165041	Buna-N Seal
		8.12/203	P165043	Buna-N Seal
No. 2½	10 μm	4.37/111	P165006	Buna-N Seal
			P167181	Fluorocarbon Seal High Collapse
		8.12/203	P165015	Buna-N Seal
			P167183	Fluorocarbon Seal High Collapse
No. 9	23 μm	4.37/111	P165136	Buna-N Seal
		8.12/203	P165138	Buna-N Seal

Filter Notes

- Refer to the table in the Technical Reference Guide for fluid compatibility with our filter media.
- If you're filtering petroleum-based oil, filters with seals made of Buna-N are appropriate for most applications.
- If you're filtering diester, phosphate ester fluids, water glycol, water/oil emulsions, and HWCF over 150°F/83°C, use filters with seals made of fluorocarbon, such as Viton® from DuPont Dow Elastomers, or Fluorel® from 3M Company.
- Donaldson "high collapse" filters, with their steel end caps and wire-backed media, are rated to withstand up to 3000 psi/ 20,700 kPa before collapsing.
- The fluorocarbon seal/high collapse filters also use epoxy potting and media seam seals for added chemical compatibility.
- Viton® and Buna-N® registered trademarks of E. I. DuPont de Nemours and Company.



Housing Choices

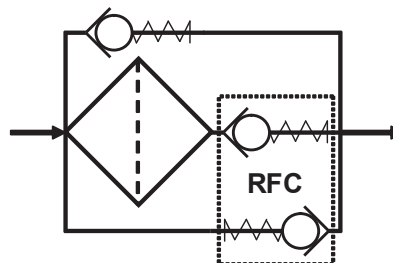
Length (in.)	Part No.
4" filter	P762769
8" filter	P762770

Head Choices

Port Size	Bypass Rating	Part No.
SAE-12 O-Ring	87 psi / 6 bar	P762766
SAE-12 O-Ring with reverse-flow check valve	87 psi / 6 bar	P762767
SAE-12 O-Ring	No Bypass	P762768

NOTE: Indicator port is machined and plugged. Replace plug with indicator of choice: P171945 (visual) or P761056 (electrical). See illustration on page 155 for details.

Reverse Flow Check Schematic



High-Performance DT Filter Choices

Media Number	Beta _(c) =1000 Rating	Length (in./mm)	Donaldson DT Part No.	Comments
2 µm	<4 µm	4.41/111.9	P566194	DT-9020-4-2UM
5 µm	5 µm	4.41/111.9	P566195	DT-9020-4-5UM
8 µm	8 µm	4.41/111.9	P566196	DT-9020-4-8UM
14 µm	14 µm	4.41/111.9	P566197	DT-9020-4-14UM
25 µm	25 µm	4.41/111.9	P566198	DT-9020-4-25UM
2 µm	<4 µm	8.28/210.3	P566199	DT-9020-8-2UM
5 µm	5 µm	8.28/210.3	P566200	DT-9020-8-5UM
8 µm	8 µm	8.28/210.3	P566201	DT-9020-8-8UM
14 µm	14 µm	8.28/210.3	P566202	DT-9020-8-14UM
25 µm	25 µm	8.28/210.3	P566203	DT-9020-8-25UM
5 µm	5 µm	4.46/113.2	P566335	DT-9021-4-5UM, High collapse
14 µm	14 µm	4.46/113.2	P566336	DT-9021-4-14UM, High collapse
5 µm	5 µm	8.16/207.2	P566337	DT-9021-8-5UM, High collapse
14 µm	14 µm	8.16/207.2	P566338	DT-9021-8-14UM, High collapse

Filter Notes

- All Donaldson DT filters utilize glass fiber media with an epoxy-based resin system for the ultimate in chemical compatibility.
- All Donaldson DT filters are potted with epoxy-based adhesives.
- Standard collapse DT designs are double wire-backed using epoxy-coated steel mesh for maximum pleat support and dirt capacity.
- High collapse designs are double wire-backed using stainless steel mesh.
- High collapse designs are also potted into machined aluminum endcaps for greater filter integrity in critical applications.
- Viton® seals are standard on all Donaldson DT filters. Viton® is a registered trademark of E. I. DuPont de Nemours and Company.





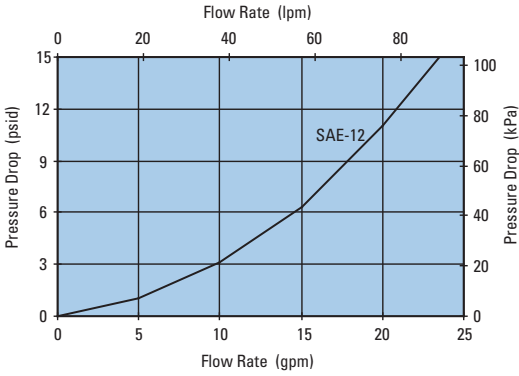
FPK02

Max Flow: 25 gpm (95 lpm)

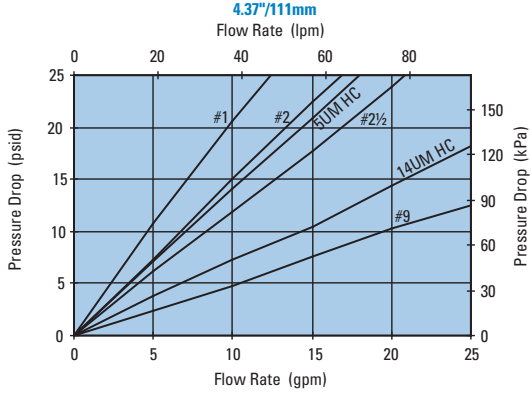


Performance Data

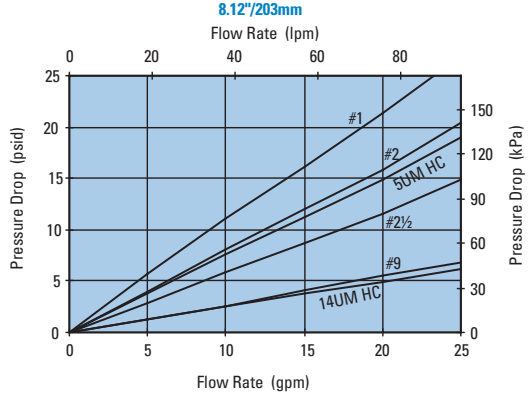
FPK02 Housing Only



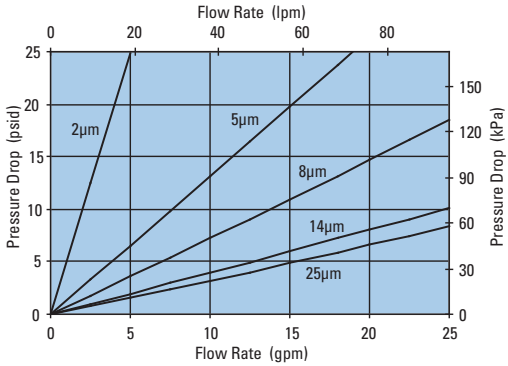
FPK02 Standard 4" Filter Only



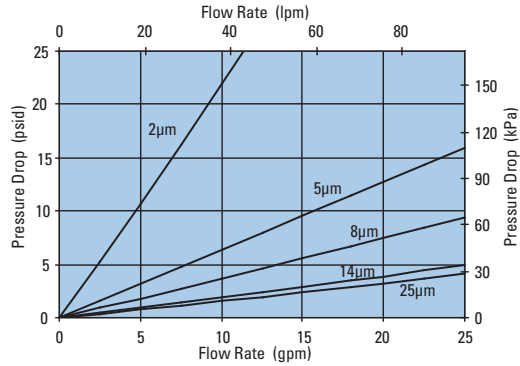
FPK02 Standard 8" Filter Only



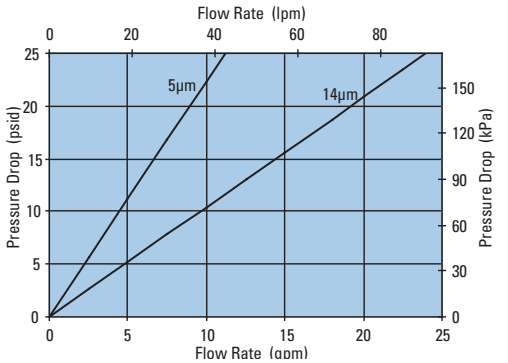
FPK02 4" DT Filter Only



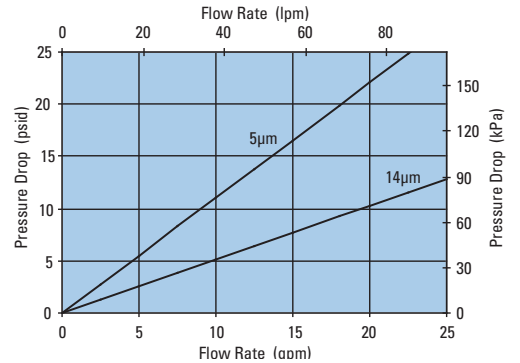
FPK02 8" DT Filter Only



FPK02 4" DT Filter Only



FPK02 8" DT Filter Only



FPK02 Service Parts

When installing the FPK02 housing onto an installed head, torque it to 15 ft-lbs./2.1 kg-m.

