



HPK03

Max Flow: 60 gpm (227 lpm)



## HPK03 In-Line Cartridge Filters

**Working Pressures to:** 3000 *psi*  
20,700 kPa  
206.9 bar

**Rated Static Burst to:** 6000 *psi*  
41,400 kPa  
413.8 bar

**Flow Range to:** 60 *gpm*  
227 *lpm*



### Features

The sturdy HPK03 filter is constructed of ductile iron for durability in high pressure applications. Standard housing drain plug means simplified servicing. Housing includes a fluoroelastomer head-to-housing seal. Meets HF3 specification.

Take advantage of our mix and match system of in-stock heads and cartridges—so you can get exactly what you need. HPK03 is available with your choice of visual or AC/DC electrical indicators. Likewise, choose the bypass option that's right for your application—50 psi (3.5 bar) or no bypass. Seals made of fluorocarbon (such as Viton® and Fluorel®) or Buna-N are available with HPK03.

All HPK03 filters contain Synteq™, our synthetic filter media designed especially for hydraulic filtration. Upgraded Donaldson DT filters are also offered for superior performance.

Viton® is a registered trademark of E. I. DuPont de Nemours and Company.  
Fluorel® is a registered trademark of 3M Company.

#### Beta Rating

- Performance to  $\beta_{<4(c)}=1000$

#### Porting Size Options

- SAE-12, -16 O-ring

#### Assembly Weight

- 26 lbs / 11.8 kg

#### Replacement Filter Lengths

- 8.22" / 208.8mm

#### Standard Bypass Ratings

- 50 *psi* / 345 kPa / 3.5 bar
- No Bypass

#### Operating Temperatures

- -20°F to 250°F / -29°C to 121°C

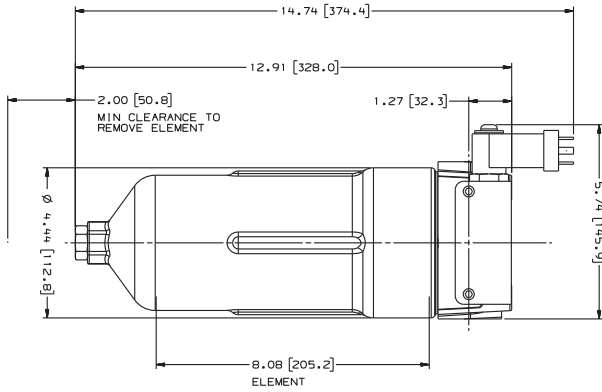
#### Filter Collapse Ratings

- 200 *psi* / 1380 kPa / 13.8 bar (standard)
- 3000 *psi* / 20,700 kPa / 206.9 bar (high collapse)

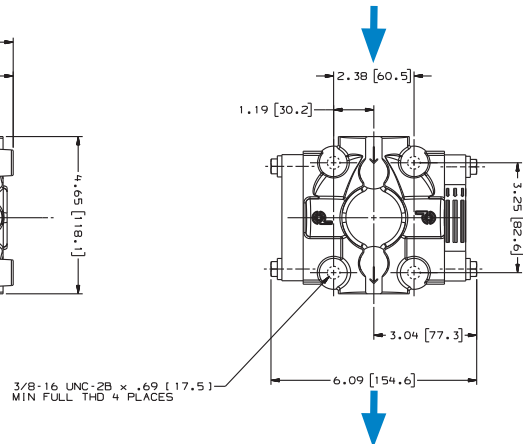
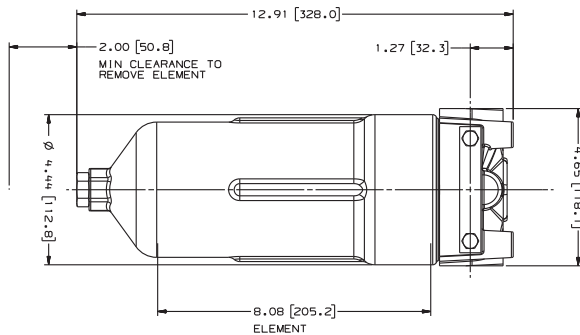
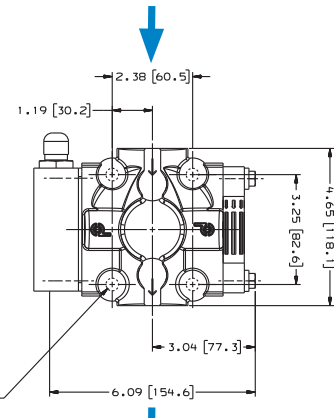
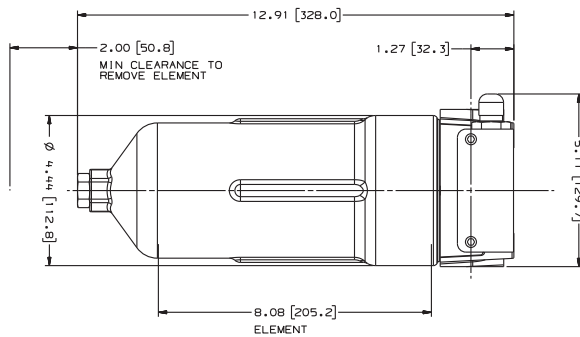
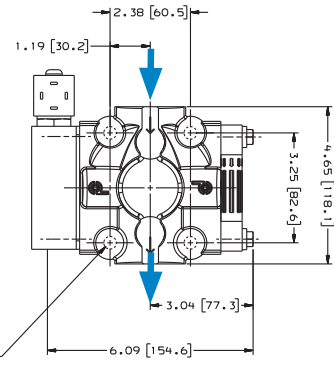
**HPK03 Specification Illustrations**

All dimensions are shown in inches [millimeters].

**Assembly - Side View**



**Head - Top View**





HPK03

Max Flow: 60 gpm (227 lpm)



## HPK03 Components

### Standard Filter Choices

Media Number	B <sub>x(c)</sub> = 1000 Rating	Part No.	Comments
No. 1	5 µm	P167842	Buna-N®
No. 1	5 µm	P167185	Viton® High Collapse for No Bypass applications.
No. 2	9 µm	P164594	Buna-N
No. 2½	10 µm	P164166	Buna-N
No. 2½	10 µm	P167186	Viton High Collapse for No Bypass applications.
No. 9	23 µm	P164174	Buna-N
No. 20	>50 µm	P165319	Buna-N
WA	B>30 <sub>(c)</sub> = 200	P569528	Buna-N Absorbs 130 ml water @ 25 psid
No. 74	75 µm nominal	P162233	Buna-N Seal Wire Mesh Media

#### Filter Notes

- SEALS: Filters with seals made of Buna-N® are appropriate for most applications involving petroleum oil. Filters with seals made of Viton® (a fluoroelastomer) are required when using diester, phosphate ester fluids, water glycol, water/oil emulsions, and HWCF (high water content fluids) over 150°F/83°C.
- Refer to table in the Technical Reference Guide for fluid compatibility with our filter media.
- Donaldson high collapse filters are physically designed to withstand up to 3000 psi / 20,700 kPa before collapsing.
- The Viton® high collapse filter versions also use epoxy potting and media seam seals for added chemical compatibility.
- Viton® and Buna-N® registered trademarks of E. I. DuPont de Nemours and Company.



### Housing Choices

Length (in.)	Part No.
8" filter	P179579

The **P179579** housing is 10.73 inches (273mm) long and accepts the filter that is 8 inches (203mm) long. It includes a head-to-housing seal.

### Head Choices

Port Size	Bypass Rating	Indicators <sup>1</sup>	Part No.
SAE-16 O-Ring	50 psi / 3.5 bar	Visual indicator, left side	P166353
SAE-12 O-Ring	50 psi / 3.5 bar	Visual indicator, left side	P170489
SAE-12 O-Ring	No bypass	Visual indicator, left side	P170491

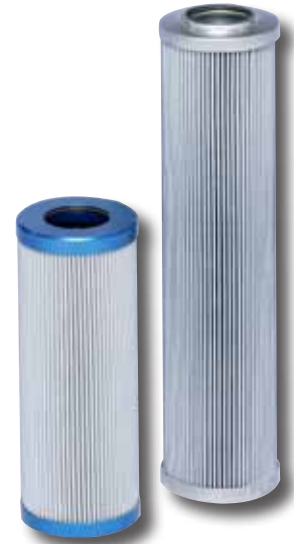
#### Notes

<sup>1</sup> Donaldson uses the inlet port as the reference point. "Left side," for instance, means that the indicator mounts on the side of the filter head that is on your left when you face the inlet port.



## High-Performance DT Filter Choices

Media Number	Beta <sub>vis</sub> =1000 Rating	Length (in./mm)	Donaldson DT Part No.	Comments
2 µm	<4 µm	8.22/208.8	P566209	DT-9600-8-2UM
5 µm	5 µm	8.22/208.8	P566210	DT-9600-8-5UM
8 µm	8 µm	8.22/208.8	P566211	DT-9600-8-8UM
14 µm	14 µm	8.22/208.8	P566212	DT-9600-8-14UM
25 µm	25 µm	8.22/208.8	P566213	DT-9600-8-25UM
5 µm	5 µm	8.22/208.8	P566366	DT-9601-8-5UM, High collapse
14 µm	14 µm	8.22/208.8	P566367	DT-9601-8-14UM, High collapse
2 µm	<4 µm	8.22/208.8	P567875	DX2-9600-8-2UM
5 µm	5 µm	8.22/208.8	P565122	DX2-9600-8-5UM
8 µm	8 µm	8.22/208.8	P565123	DX2-9600-8-8UM
14 µm	14 µm	8.22/208.8	P564936	DX2-9600-8-14UM



### Filter Notes

- All Donaldson DT and DX2 filters utilize glass fiber media with an epoxy-based resin system for the ultimate in chemical compatibility.
- All Donaldson DT and DX2 filters are potted with epoxy-based adhesives.
- Standard collapse DT designs are double wire-backed using epoxy-coated steel mesh for maximum pleat support and dirt capacity.
- High collapse designs are double wire-backed using stainless steel mesh.
- High collapse designs are also potted into machined aluminum endcaps for greater filter integrity in critical applications.
- Viton® seals are standard on all Donaldson DT and DX2 filters. Viton® is a registered trademark of E. I. DuPont de Nemours and Company.
- DX2 filters utilize nylon mesh for pleat support.

## Service Indicator Options

### Visual Service Indicators

Part No.	Use with Bypass Valve Pressure of:	Description
P569632	50 psi / 3.5 bar	35 psi/2.4 bar indicator kit* auto reset pop-out button
P569633	90 psi / 6.2 bar	70 psi/4.8 bar indicator kit* auto reset pop-out button
P567988	50 psi / 3.5 bar	35 psi/2.4 bar indicator kit* auto reset pop-out button with thermal lockout and surge control
P567989	90 psi / 6.2 bar	70 psi/4.8 bar indicator kit* auto reset pop-out button with thermal lockout and surge control

### AC/DC Visual/Electrical Service Indicators

Part No.	Use with Bypass Valve Pressure of:	Description
P569634	50 psi / 3.5 bar	35 psi/2.4 bar indicator kit* Hirschmann receptacle 115 VAC/28 VDC, 2 amps
P569635	90 psi / 6.2 bar	70 psi/4.8 bar indicator kit* Hirschmann receptacle 115 VAC/28 VDC, 2 amps
P567986	50 psi / 3.5 bar	35 psi/2.4 bar indicator kit* with thermal lockout and surge control, Hirschmann receptacle, 115 VAC/28 VDC, 2 amps, 4 pin DIN 43650
P567987	90 psi / 6.2 bar	70 psi/4.8 bar indicator kit* with thermal lockout and surge control, Hirschmann receptacle, 115 VAC/28 VDC, 2 amps, 4 pin DIN 43650

\* Note: Above choices include indicator and mounting block.

## Indicator Service Parts

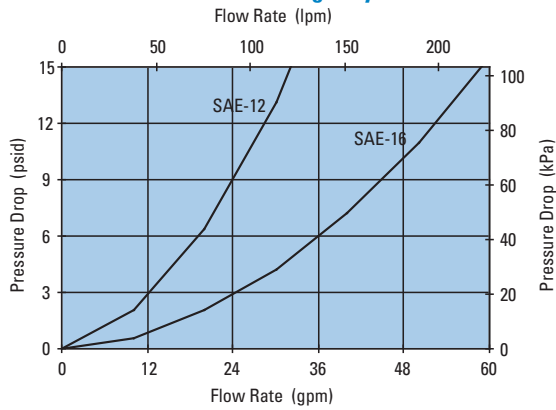
### Replacement Indicators Only

Part No.	Description
P567458	Visual/Electrical indicator with thermal lockout and surge, 35 psid/2.4 bar
P567459	Visual/Electrical indicator, with thermal lockout and surge 70 psid/4.8 bar
P567456	Pop-Up Visual Indicator, with thermal lockout and surge 35 psid/2.4 bar
P567457	Pop-Up Visual Indicator, with thermal lockout and surge 70 psid/4.8 bar
P569636	Pop-Up Visual Indicator, 35 psid/2.4 bar
P569637	Pop-Up Visual Indicator, 70 psid/4.8 bar
P569638	Visual/Electrical Indicator, 35 psid/2.4 bar
P569639	Visual/Electrical Indicator, 70 psid/4.8 bar
P164315	Visual Indicator, bar style, 35 psid/2.4 bar
P166603	Visual Indicator, bar style, 70 psid/4.8 bar
P166134	Blanking plate

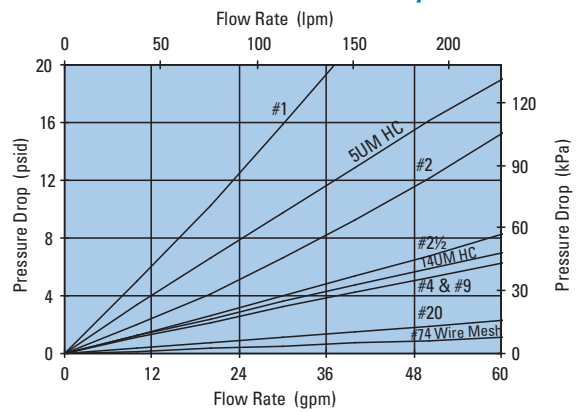


## Performance Data

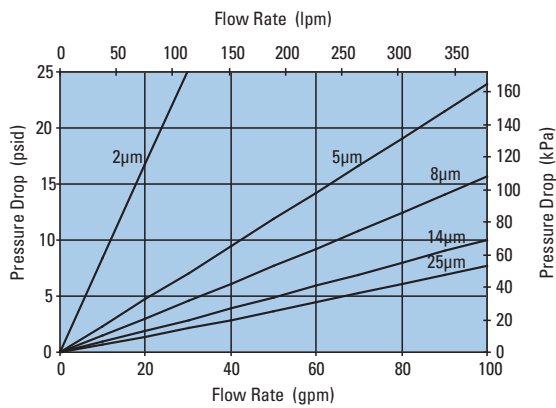
**HPK03 Housing Only**



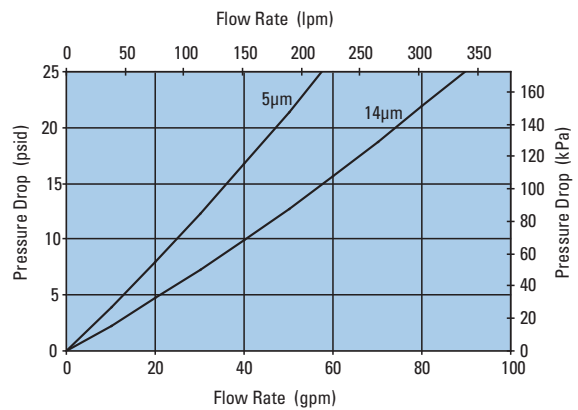
**HPK03 8" Standard Filter Only**



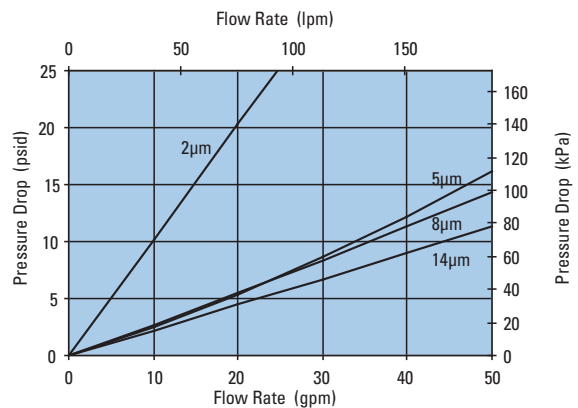
**HPK03 8" DT Filter Only**  
DT-9600-8, 8.22"/208.8mm



**HPK03 8" DT Filter Only**  
DT-9601-8, 8.22"/208.8mm



**W350 8" DX2 Filter Only**  
DX2-9600-8, 8.22"/208.8mm



## HPK03 Service Parts

