

# HEK11 In-Line High-Flow Filter

**Working Pressures to:** 150 *psi*  
1034 kPa  
10.3 bar

**Rated Static Burst to:** 250 *psi*  
1724 kPa  
17.2 bar

**Flow Ranges to:** 600 *gpm*  
2271 *l/min*



## Features

The HEK11 low-pressure, high flow filter features a cast aluminum head, steel body and a head-to-canister band clamp that simplifies servicing. Flow is inside-to-outside. BunaN seals are on the in-stock models.

Filter media is Synteq®, Donaldson's exclusive synthetic media designed especially for liquid filtration. A wire mesh media is available for harsh applications. HEK11 comes standard with a visual service indicator available via service parts.

### Beta Rating

- Performance to  $\beta_{<3(c)}=1000$

### Porting Sizes

- 4" NPT
- 2½" SAE 4-Bolt Flange, code 61

### Assembly Weight

- 125 lbs / 57 kg

### Assembly Length

- In-Line model: 32.50" / 825.5mm

### Standard Bypass Ratings

- 25 *psi* / 172.5 kPa / 1.7 bar (standard)
- Optional: No Bypass

### Operating Temperatures

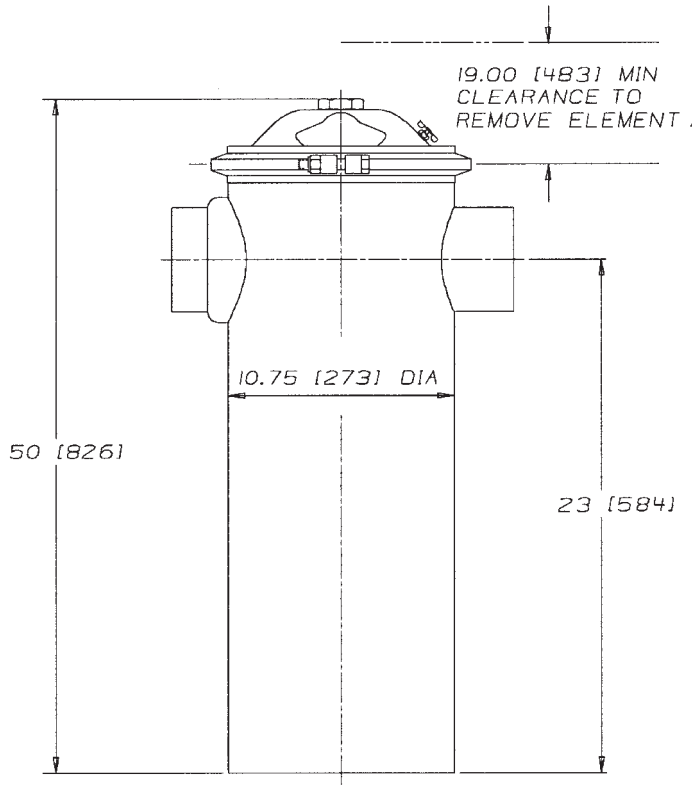
- Synthetic media -20°F to 250°F  
-29°C to 121°C

### Element Burst Rating

- 100 *psi* / 689 kPa / 6.9 bar

**Assembly - Side View**

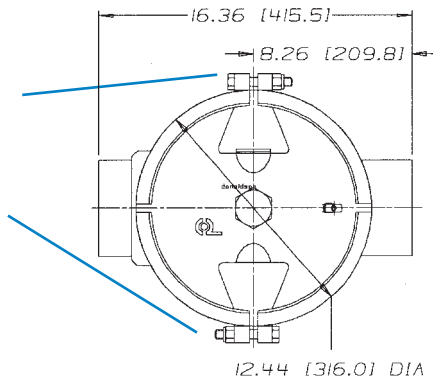
*for:* Cooling Circuits  
 Fluid Conditioning  
 Return-Line/Suction/Side-Loop  
 Lube Oil Systems  
 Mobile and In-Plant



Low Pressure Filters

**Head - Top View**

**Bolts of head clamp MUST be positioned 90° from inlet port, as shown. TORQUE bolts to 30 ft/lb, alternating tightening sequence between the two clamp bolts.**



● All dimensions above are shown in inches [millimeters]

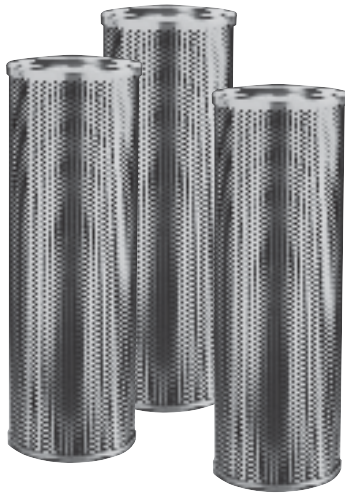
# HEK11 Components

## In-Stock Assemblies

Port Size	Bypass Rating	Indicator Style <sup>1</sup> & Location <sup>2</sup>	Assembly Part No.	Includes this filter
4" NPT	25 psi / 172.5 kPa	Visual, Left side	K110056	P164707, media No. 9
2½" SAE 4-Bolt Flange	25 psi / 172.5 kPa	Visual, Right side	K110125	P176417, media No. 2

### Assembly Notes

<sup>1</sup> Donaldson uses the inlet port as the reference point. "Left side," for instance, means that the indicator mounts on the side of the filter head that is on your left when you face the inlet port.



Synteq

What's so special about Donaldson-developed Synteq<sup>®</sup> synthetic filter media? Find out on [page 8](#)!

## Replacement Element Options

All HEK11 filter cartridges are 22"/559mm in length, and contain Synteq<sup>®</sup> synthetic filter media, except for the P160078.

Media Number	B <sub>10</sub> = 1000 Rating	Part No.
No. ½	<3µm	P163472
No. 2	9µm	P176417
No. 2½	10µm	P176223
No. 6	13µm	P165449
No. 9	23µm	P164707
No. 20	>50µm	P171279

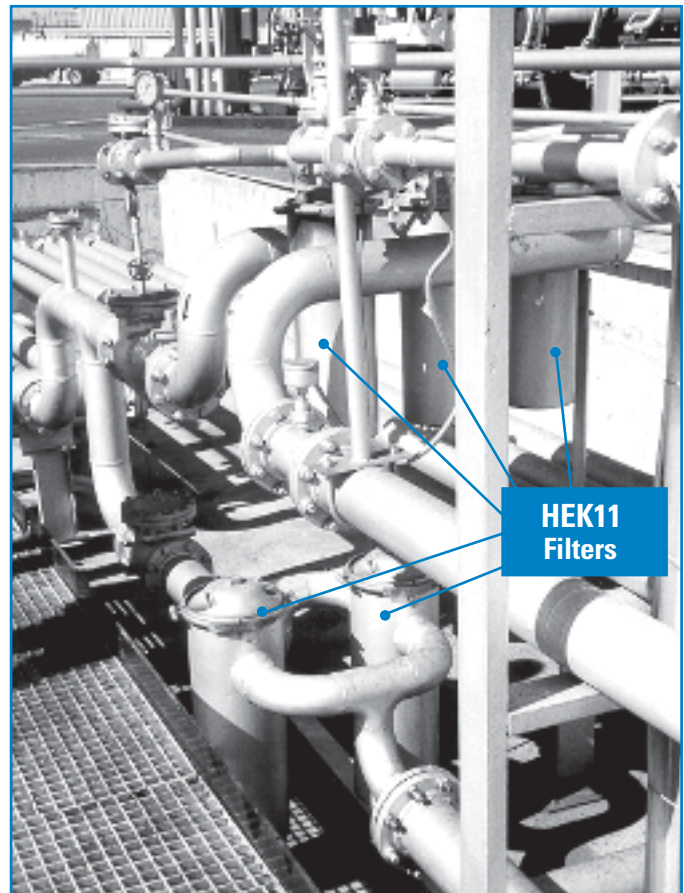
Media Number	Media Technology	Part No.
No. 149	Wiremesh 150µm nominal	P160078

### Filter Notes

- Synteq<sup>®</sup> filter media is compatible with petroleum based fluids, most phosphate esters, water oil emulsions, and HWCF (high water content fluids.)

## HEK11 at Oil Depot

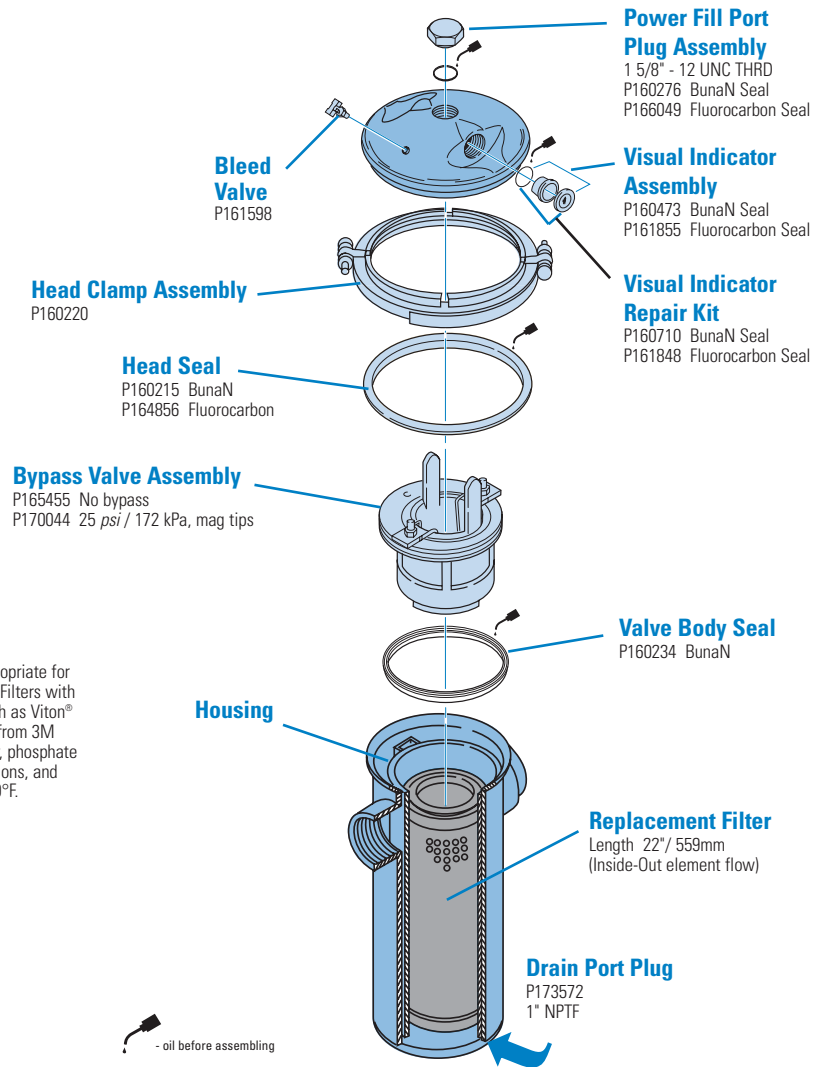
High-flow/low pressure HEK11 filters are used at this oil depot to remove both ingressed and induced contamination from oil that is piped around from reservoir to tank.



# HEK11 Service Parts

Not all service parts are in-stock.  
Call for availability.

Low Pressure Filters



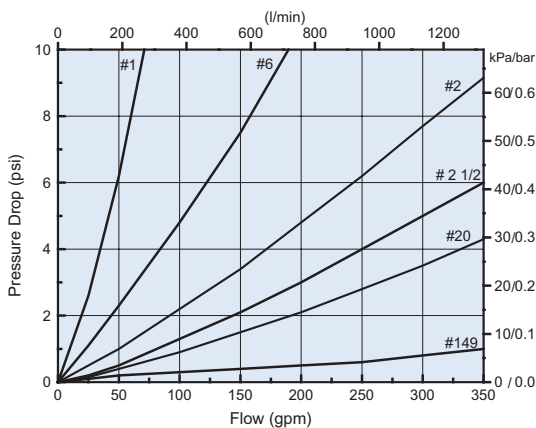
**A Note on Seals**

- Filters with seals made of BunaN are appropriate for most applications involving petroleum oil. Filters with seals made of fluorocarbon elastomer (such as Viton® from DuPont Dow Elastomers and Fluorel from 3M Company) are required when using diester, phosphate ester fluids, water glycol, water/oil emulsions, and HWCF (high water content fluids) over 150°F.

## Performance Data

For a full explanation of how our performance curves were derived, see page 150.

**HEK11 Element Only (22" / 559mm)**



**HEK11 Head Only**

